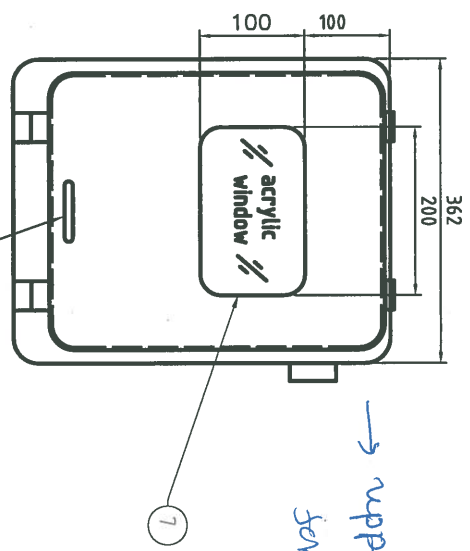


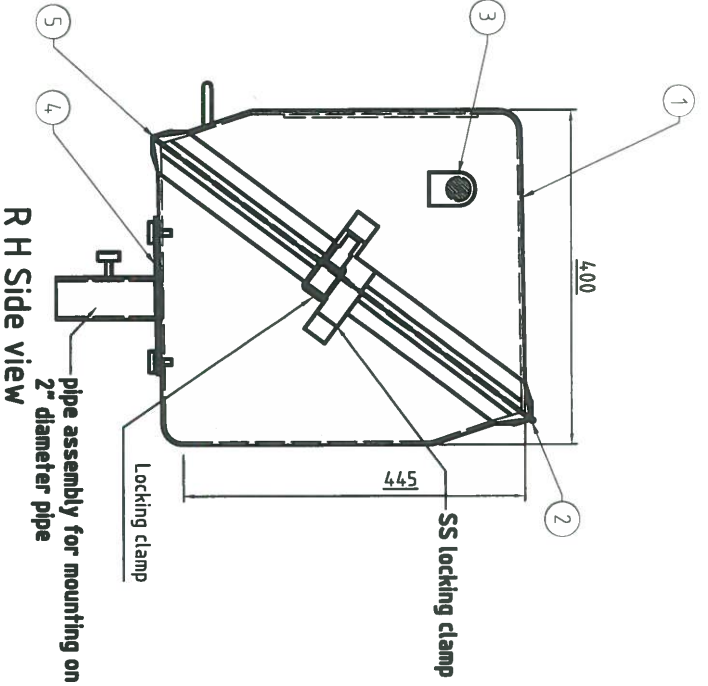
Qty: 30 Nos.

→ upper part stopper to be indicate in Drawing.  
for Instruments maintenance

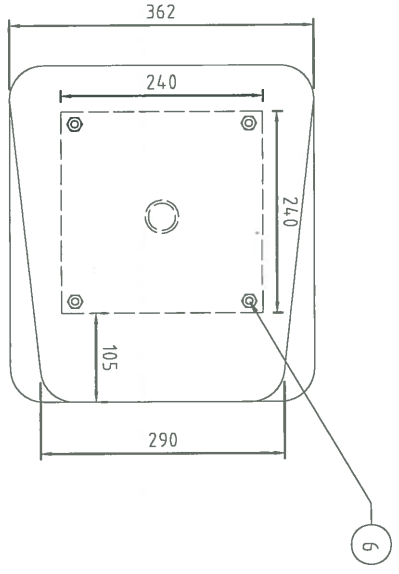
Approved with  
Comment  
16-Feb-2016  
*Edinably*



Front view



RH Side view

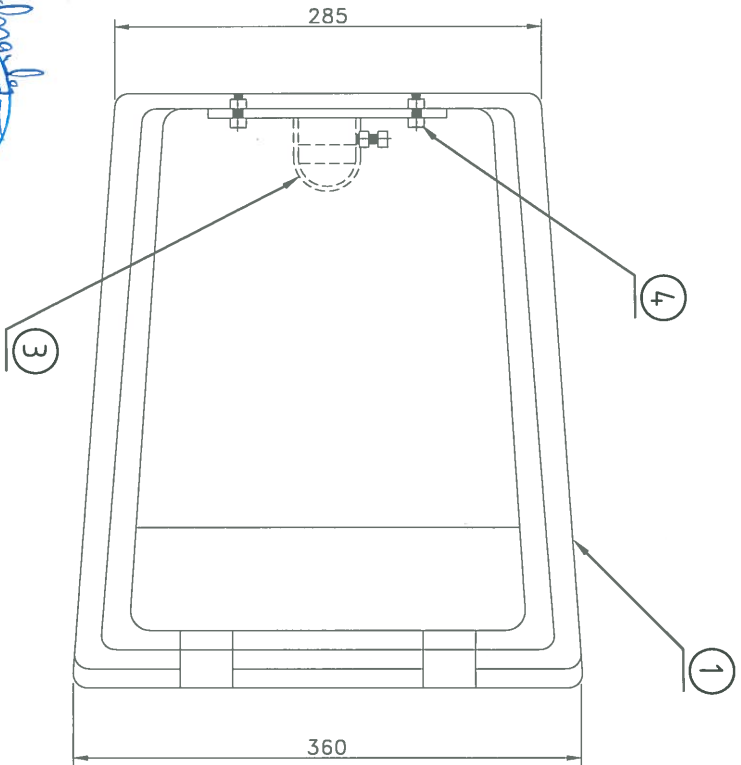
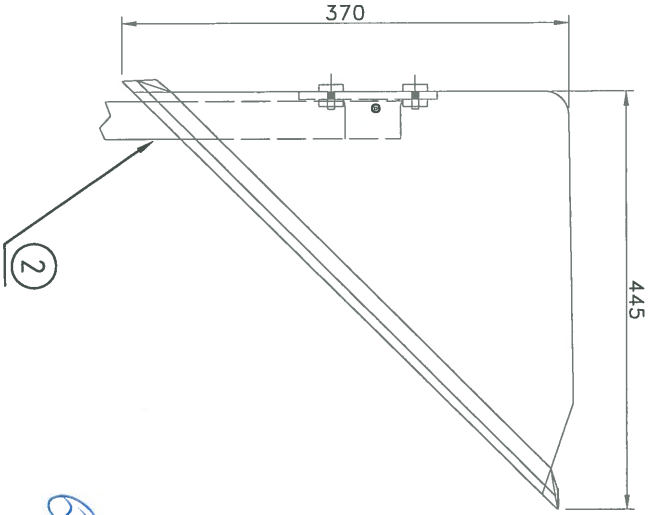


BOTTOM VIEW

BILL OF MATERIAL			
SR.	DISCRPTION	MATERIAL	Q.TY.
1	FRP BOX	SMC HOT MOLDED	1 NOS.
2	SPLIT TYPE HINGE	S.S.	2 NOS.
3	P.P. BREATHER(FOR VENTILATION)	P.P.	2 NOS.
4	MOUNTING BRACKET PLATE	MS/PC	1 NOS.
5	RUBBER GASKET	NEOPRIN SPONGE	1 NOS.
6	3/8" S.S. NUT & BOLT WITH WASHER	S.S.	5 NOS.
7	ACRYLIC WINDOW 200X100X3THK	ACRYLIC	1 NOS.

NOTES:  
- ALL DIMENSION ARE IN MM.  
- SHADE: RAL 7032.

CLIENT : <b>M/S GE INDIA INDUSTRIAL PVT. LTD.</b> PROJECT : <b>STERILE TUNICORN PROJECT.</b> CONSULTANT		W.O. NO.: 004714/15-16 DATE: 05/02/2016 P.O.NO.: 4502682898 DATE: 04/02/2016	
TITLE : <b>Sumip</b> 39A, PANCHRAVA IND. ESTATE, CHANGODUR, ARAO.		FILE : 16-02-1C-2745 DRAWN : <b>ANUP</b> 06.02.16 DATE : 06.02.16	
SCALE : <b>MTS</b>		SHEET : <b>1/1</b>	
Dwg. No. : <b>16-02-1C-2745</b>		REV. : <b>0</b>	
PROJECT : <b>FRP INSTRUMENT CANOPY.</b> (362X45X400)		QTY. : <b>30</b>	
SUMIP COMPOSITES PVT. LTD.		OUR e-mail ADDRESS : <b>sales@sumip.com</b>	



Qty - 30 Nos  
 Approved with  
 Comment



NOTES:  
 - ALL DIMENSION ARE IN MM.  
 - SHADE: RAL 7032.

REV.	DESCRIPTION	DATE	FILE	DATE	W.O. NO.:	DATE:	P.O. NO.:	DATE:	OUR e-mail Address:
01	FOR APPROVAL	09/02/16	16-02-IC-2746	09/02/16	004714/15-16	05/02/2016	4502682898	04/02/2016	sales@sumip.com
			ANGLE PROJECTION		CLIENT :	M/S GE INDIA INDUSTRIAL PVT. LTD.	PROJECT :	STERILITE TUTORIN PROJECT.	CONSULTANT :
					CLIENT :	M/S GE INDIA INDUSTRIAL PVT. LTD.	PROJECT :	STERILITE TUTORIN PROJECT.	CONSULTANT :
					TITLE :	FRP INSTRUMENT CANOPY.	SCALE :	NTS	DWG. NO. :
						FRP INSTRUMENT CANOPY.			16-02-IC-2746
						(360X360X445)			SHEET :
									1/1
									REV. :
									0

**BILL OF MATERIAL**

S.R.	DISCRPTION	MATERIAL	QTY.
4	HARDWARE (1/8" NUT & BOLT WITH WASHER)	SS	05 NOS.
3	CLAMP 3MM THK.	MS	01 NOS.
2	PIPE (NOT IN SUMIP SCOPE)	-	-
1	FRP BOX 4MM THK.	SMT HOT MOLDED	01 NOS